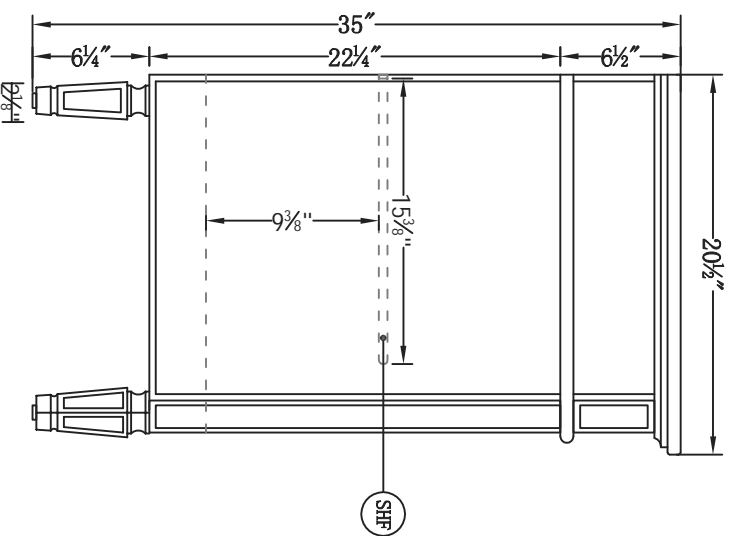
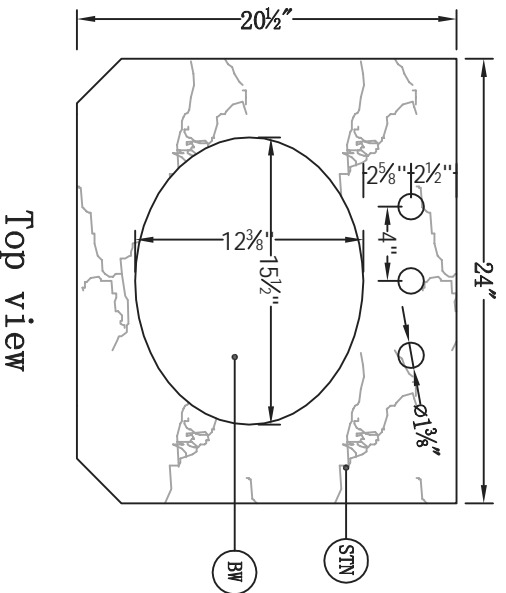


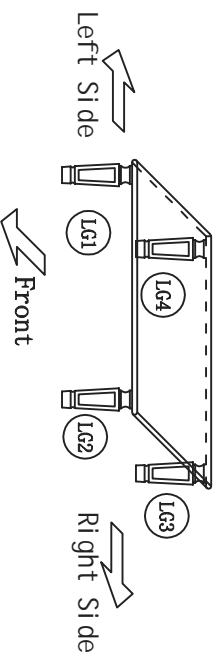
Front view



Side view



Top view



KD leg orientation diagram

DWG. NO.

MODEL NO:

VF-1100

SPEC NO:

QUANTITY:

DATE:

CHECKED BY:

FOR PROPOSAL ONLY ALL DIMENSIONS TO BE VERIFIED

PROJECT:

COLOR:

FINISH:

REVISIONS

1	
2	
3	
4	
5	
6	

 **ELEGANT**  
FURNITURE & LIGHTING™

500-550 E. Erie Avenue

Philadelphia PA 19134

1-888-388-3390

Model #	VF-1100	Finish	Silver	Mirror type	Clear mirror	Beveled glass	yes	Frame material	Solid wood and MDF
Solid wood construction	Solid wood legs	Drawers Included	No	Number of Drawers	0	Joinery Type	N/A	Drawer railing	N/A
Drawer width	N/A	Drawer Depth	N/A	Drawer Height	N/A	Shelves	Yes	Number of Shelves	1
Doors included	Yes	Number of Doors	1	Finished Back	Yes	Hardware finish	Brushed steel finish	Assembly	No
Countertop included	Yes	Countertop material	Marble	Number of Sinks accommodated	1	Sink material	Porcelain	Sink width	15.5
Sink Depth	12.25	Sink Height	7	Sink hole size	1.75	Mounting type	Free-Standing	Backsplash	No
Backsplash length	N/A	Backsplash width	N/A	Backsplash height	N/A	Drain assembly included	NO	Faucet included	NO
Faucet type	NO	Faucet hole size	1-3/8"	Faucet hole spacing	8" for all 3 Holes	Product width	24	Product Depth	20.5
Product Height	35	Package LENGTH (inches)	29.25	Packaged WIDTH (inches)	25.75	Packaged Height (inches)	34.5	Package Weight (lbs)	99.44
Product Weight	89.76	Shipment Type	LTL	Vanity countertop width (in)	21	Vanity: Countertop finish	white and brown vien	glass top tempered	NO
Table/Desk: top maximum weight	33 lbs	Table: seating capacity	1	upholstery color	N/A	upholstery pattern	N/A	cushion material	N/A
Vanity: base finish	Silver	powder coated finish	NO	base material	MDF	top material	Marble	wood species	Rubberwood
tip over restraint strap	NO	shape of top	Rectangle	lift top	NO	shelf material	MDF	adjustable shelves	NO
Drawer Handle designs	Knobs & Ring pulls & KB105 / KB104	safety stop	Yes	felt lined drawers	NO	drawer glide extension	N/A	drawer glide material	N/A
drawer dividers	N/A	Drawer Interior finish	N/A	Ball Bearing Glides	N/A	soft close drawer glides	N/A	Number of cabinets	1
shelf height	15-3/8"	shelf width	18"	shelf depth	8-1/8"	Shelf thickness	1/2"	Any certification?	NO
Call for a Proposition 65 warning required	YES	Drawers Interior Height	N/A	Drawer Interior Width	N/A	Drawer Interior Depth	N/A	cabinet interior height	18-7/8"
cabinet interior width	18	cabinet interior depth	8-1/8"	leg height	6-1/4"	leg width	2-1/8"	leg depth	2-1/8"
glass finish	clear	stackable	NO	leg design	Taper legs	Armories: ring slots	N/A	Armories: hooks	N/A
armories: mirror dimensions	N/A	door thickness	7/8"	false drawers?	NO	Sink mounting type	Undermount	# of faucet holes	3

DWG. NO.

MODEL NO:

VF - 1100

SPEC NO:

QUANTITY:

DATE:

CHECKED BY:

FOR PROPOSAL ONLY ALL DIMENSIONS TO BE VERIFIED

PROJECT:

COLOR:

FINISH:

REVISIONS

1	
2	
3	
4	
5	
6	

 ELEGANT FURNITURE & LIGHTING™

500-550 E. Erie Avenue

Philadelphia PA 19134

1-888-388-3390